



Mobile lift



Tow truck



Cranes



Winch for jeep

# F21 Series Radio Controls

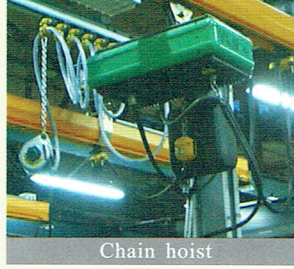
~~F21-2S / 2D / 4S / 4SB / 4D / E1 / E1B~~

**Useable in a vast array of INDUSTRIAL EQUIPMENT**

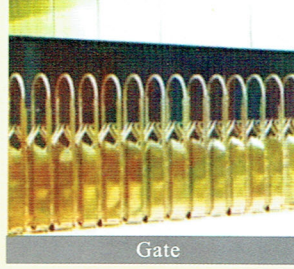
- \*Water-proof and Dust-proof meets IP 65 standard
- \*Durable casing made of Fiber Reinforced Nylon
- \*Superior operating temperature range -35°C~+80°C
- \*Very low power consumption design using only 2 AA Size Alkaline batteries with 4 months average battery life
- \*Integrates Hamming Code, Self-diagnosis and 4.3 billion ID Codes
- \*Easy programming via WIN95/98/2000/NT
- \*Operating distance up to 50 ~ 100 meters (depending on model)



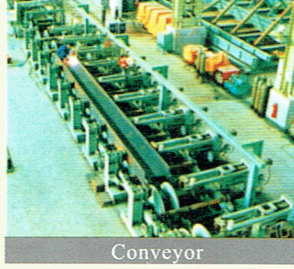
Truck tail



Chain hoist



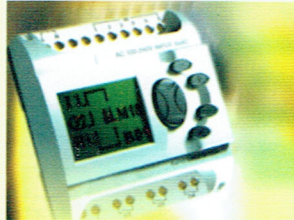
Gate



Conveyor



Hydraulic equipment



Model: ~~F21-4SB~~ (4-button w/single speed)  
 Size: 164x75x46 mm  
 Weight: about 370 g (w/batteries)



Model: ~~F21-E1B~~ (6-button w/single speed)  
 Size: 164x75x46 mm  
 Weight: about 380 g (w/batteries)



Model: ~~F21-4D~~ (4-button w/double speed)

Model: ~~F21-2D~~ (2-button w/double speed)

# TELECRANE F21-E1 / 4 / 2





# F21 Series PC program window

F21-E1/E1B

PROG NO: 0.00 SERIAL NUMBER: C1060000  
 ID-CODE: 0000 MODEL TYPE: F21-E1-TX

REMOTE SETTING: NO  
 COM1  
 MODEL-TYPE  
 Customer Database Next Page  
 POWER-ON Mode: Any Push Button  
 POWERSAVING-OFF  
 Continue(TX) YES LED On/Off (TX) YES  
 Auto-Off(TX) 0 MIN 4 SEC Auto-off(EMS) NO  
 LED-Offtime Setting(TX) 1.0 SEC  
 READ-WRITE: 100% READ R/C, 0% WRITE R/C  
 Interlock Delay-Time: 0 SEC  
 Start key Function: INCHING 0.2 SEC  
 Auto-Off(RX) YES Auto-Off(RX) 1 HOUR 0 MIN

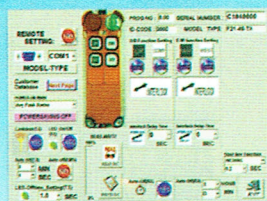
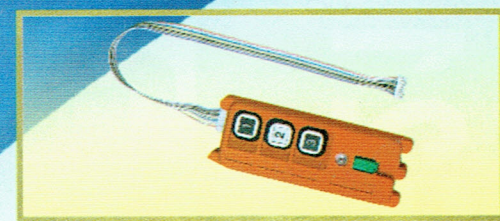


F21-E1/4/2 Receiver  
 Weight: 550g (w/o wire cable)  
 Size: 185x85x85mm

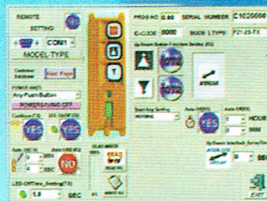
Opt08: CD-ROM & interface cable



Opt09: Copier

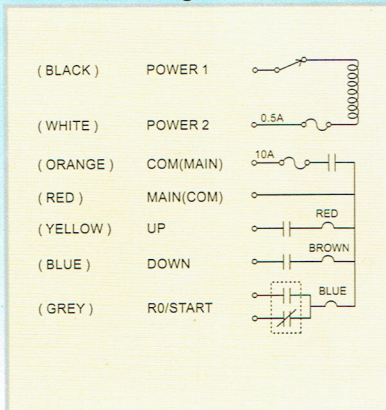


F21-4S/4D/4SB

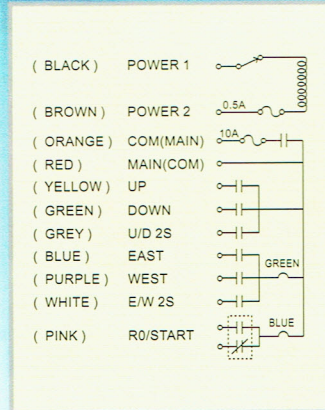


F21-2S/2D

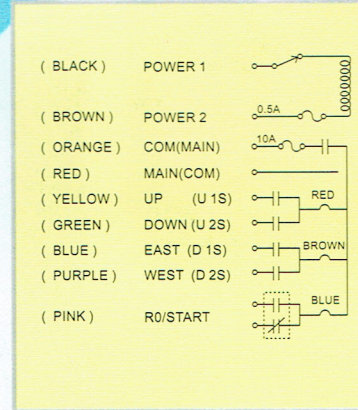
## F21-2S Wire Diagram



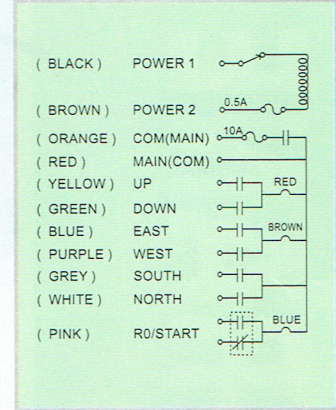
## F21-4D Wire Diagram



## F21-4S/4SB/2D Wire Diagram



## F21-E1/E1B Wire Diagram



Model: F21 - 4 D - 1

Purchasing information

- 0 DC 12~24V
- 1 AC 48 / 220V 50 / 60Hz
- 2 AC 110 / 220V 50 / 60Hz
- 3 AC 220 / 380V 50 / 60Hz
- 4 AC 48 / 110V 50 / 60Hz

- D Double speed
- S Single speed

- 2 2 button
- 4 4 button

F21-4SB-4 4-button w/single speed, AC 48/110V 50/60Hz

F21-E1-2 6-button w/single speed, AC 110/220V 50/60Hz

**Telecrane NZ Ltd**  
 Ph 021 0230-3803  
 info@telecranenz.co.nz  
 28 Takaro Ave, Sockburn, CHCH 8042